

NEW PRODUCT

DAVEY  
StarFlo™

TOUGH AND  
VERSATILE

#### APPLICATION

Ideal for in-ground and above ground pools, large swim spas and plunge pools. Also suitable for solar pool heating. Models to suit pools up to 140,000 litres.



#### DESIGNED TO FILTER AND CIRCULATE POOL WATER

- > **Double insulated to water circuit**
  - Provided with an Equipotential Bonding Point for AS/NZ 3000 wiring standards
- > **Reliable - Universal, multi-fit and versatile pump that suits multiple applications:**
  - Constructed of strong corrosion resistant and UV materials for long and reliable working life
  - Heavy duty, totally enclosed motor protects against the elements for long operating life
  - Built-in, self-resetting thermal overload protects the motor against damage from over-heating
- > **High Quality** – Corrosion resistant Noryl impeller for longer lasting trouble free performance
- > **Long Lasting** – High performance silicon carbide Viton mechanical seal for long life in pool water
- > **High Strength** – 316 stainless steel motor shaft
- > **High Performance** – Powerful pumping delivering optimum flow rates for rapid pool water turnover
- > Fully serviceable, allowing for easy maintenance and repair
- > Drain plugs enabling simple water drainage for easy maintenance
- > 3m power lead with 10amp Australian three pin plug fitted to all models
- > 3 year warranty



Depend on Davey

**DAVEY**

# StarFlo

## Universal Pool Pump



**40 & 50mm barrel unions**  
for ease of installation

**Easy to remove, see-through strainer lid**

**Self resetting thermal overload protection**  
in the event of the pump overheating

**Corrosion resistant Noryl impeller** for longer  
lasting trouble-free performance

**316 stainless steel motor shaft**  
won't corrode or rust

**High performance motor** with power  
reserves for extended operating life

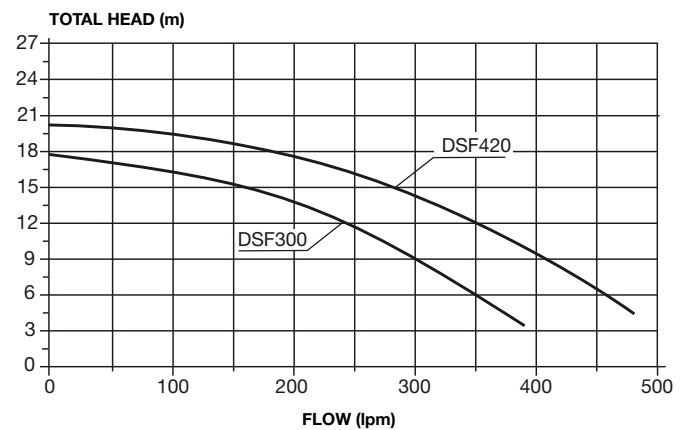
**High performance silicon carbide Viton  
mechanical seal** for long life in pool water

**Double insulated to water circuit** with  
Equipotential Bonding Point

### ELECTRICAL DATA

Model	DSF300	DSF420
Voltage (V)	220-240	
Phase	Single	
Supply frequency (Hz)	50	
Run current (A)	5.8	8.3
Motor input power (W)	1100	1650
Motor output power (W)	750	1300
RPM	2900	
Enclosure class (IP)	55	
Insulation class	F	
Approval No.	TUV02147EA	

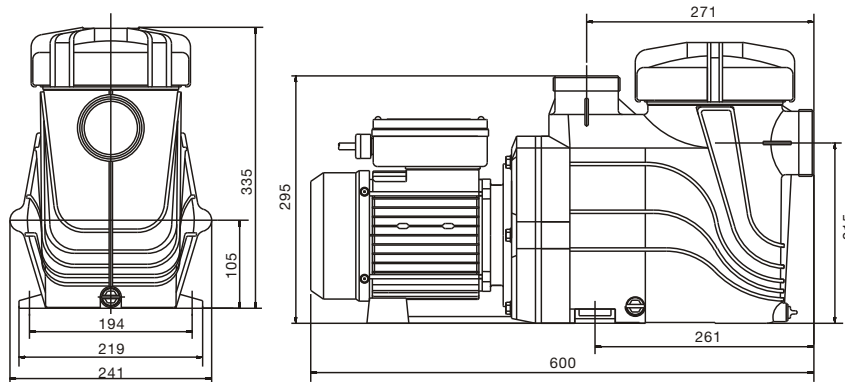
### HYDRAULIC PERFORMANCE



OPERATING LIMITS	Max. water temperature	Max. ambient temperature	dBa @ 1 metre
	40°C	50°C	62 - (DSF300) 65 - (DSF420)

### DIMENSIONS (mm)

Model	Mounting Holes Diameter	Inlet PVC	Outlet PVC	Net Weight (kg)
DSF300	11	40 & 50	40 & 50	10.0
DSF420				11.5



[davey.com.au](http://davey.com.au) | [daveynz.co.nz](http://daveynz.co.nz) | [daveyeurope.eu](http://daveyeurope.eu) | [daveyusa.com](http://daveyusa.com)

This literature is not a complete guide to product usage. All images provided in this document are for illustration purposes only. Further information is available from your Davey Dealer, Davey Support Centre and from the relevant product Installation and Operating Instructions. Must be read in conjunction with the relevant product Installation and Operating Instructions and all applicable statutory requirements. Product specifications may change without notice. © Davey is a registered trademark of Davey Water Products Pty Ltd. © Davey Water Products Pty Ltd 2016.

# DAVEY

Depend on Davey